

# STL2 SERIES OUTDOOR LIGHTING

STL2-150W-30K  
STL2-150W-50K



Selection:



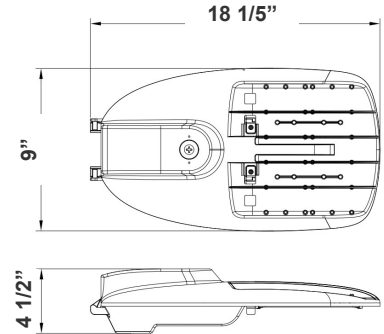
This outdoor lighting is ideal for general site lighting, street, roadway, alleys, loading docks, doorway, pathway, and parking areas

Customer Name: \_\_\_\_\_

Project Name: \_\_\_\_\_

Note:

Type:



18 1/2"(L) x 9"(W) x 4 1/2"(H)

## Features

- Light Grey Finish
- With NEMA twist-lock Photocell Socket (Shorting Cap Included)
- Optional Nema Twist-Lock Photocell (add "-P")
- 7-Year Warranty
- Outdoor Light

## Technical Specifications

### Electrical:

- Voltage: 120-277V; 60Hz AC
- Power Factor: >0.95
- Wattage: 150W
- Efficacy: 140 LPW

### Mechanical:

- Die-cast Aluminum with Powder Coat Finish (Light Grey)
- Cord Type: 40" SJTW 18/3 AWG Cable
- w/NEMA Twist-lock Photocell Socket, Shorting Cap incl.
- • 6KV Lightning Surge Protection
- With 2-15/16" Diameter Pole Entry with Adapter Bracket Inside for Smaller Pole Diameters
- Maximum Ambient Temperature: -40°F to 104°F
- Rated life: 50,000 hrs
- Wet Location
- IP Rating: IP65

### Lighting:

- Lens Type: Optical TYPE III Lens, High Light Transmittance PC, Anti-UV and Flame Resistant
- Dimming: 0-10 Dimming
- Driver Located in Isolated Compartment for Improved Thermal Management
- Total Lumens: 21000LM
- Color Temperatures: 3000K/5000K
- Color Rendering Index: CRI ≥ 80

### Applications:

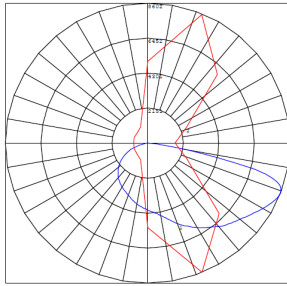
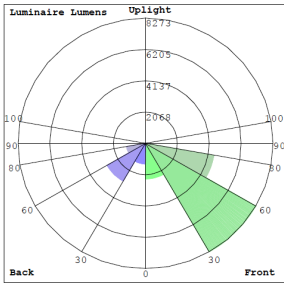
- Ideal for general site lighting, street, roadway, alleys, loading docks, doorway, pathway and parking areas

### Other Models:

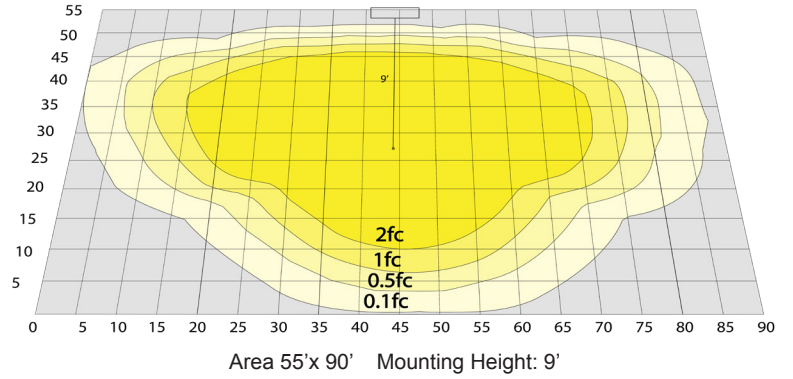
• 30W | 3900LM | STL2-30W-30K • 50W | 6500LM | STL2-50W-30K • 80W | 10800LM | STL2-80W-30K • 100W | 13500LM | STL2-100W-30K • 200W | 27000LM | STL2-200W-30K  
• 30W | 3900LM | STL2-30W-50K • 50W | 6500LM | STL2-50W-50K • 80W | 10800LM | STL2-80W-50K • 100W | 13500LM | STL2-100W-50K • 200W | 27000LM | STL2-200W-50K



## Photometrics: STL2-150W



BUG Rating: B3-U0-G3



## Other Views:



Side View



Front View



Back View



Mounting Hole View

## Performance Table: STL2-150W

MODEL NO.	Wattage	Voltage	Lumens	Color Temp.	BUG Rating	LPW
STL2-150W-30K	150W	120-277V	21000LM	3000K	B3-U0-G3	140
STL2-150W-50K	150W	120-277V	21000LM	5000K	B3-U0-G3	140

## Sample Ordering

Model	Watt	Color Temp.
STL2	150W	<input type="text"/>

30K = 3000K  
50K = 5000K

## Accessories:

Blank = No Option For Accessories

STL2-WMA = WALL MOUNTING ARM 12 3/4" LENGTH

PC-TWIST = 1800W TUNGSTEN TWIST LOCK PHOTOCELL

## Example:

- STL2-150W-30K (FOR STL2 150W 3000K OUTDOOR LIGHT FIXTURE 120-277V)
- STL2-150W-30K (FOR STL2 150W 3000K OUTDOOR LIGHT FIXTURE 120-277V)  
STL2-WMA (FOR WALL MOUNTING ARM 12 3/4" LENGTH)

## ACCESSORIES:



STL2-WMA  
WALL MOUNTING ARM  
12 3/4" LENGTH



PC-TWIST  
1800W TUNGSTEN TWIST LOCK  
PHOTOCELL